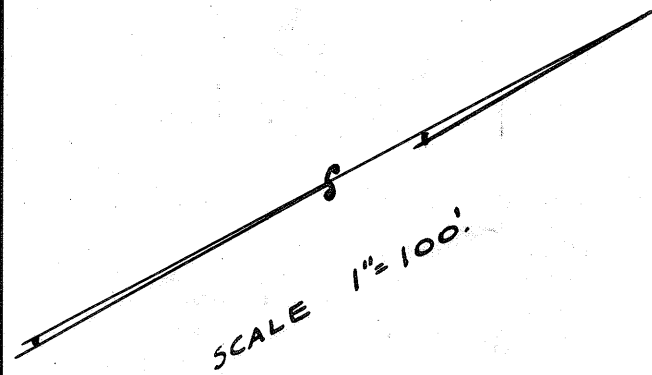
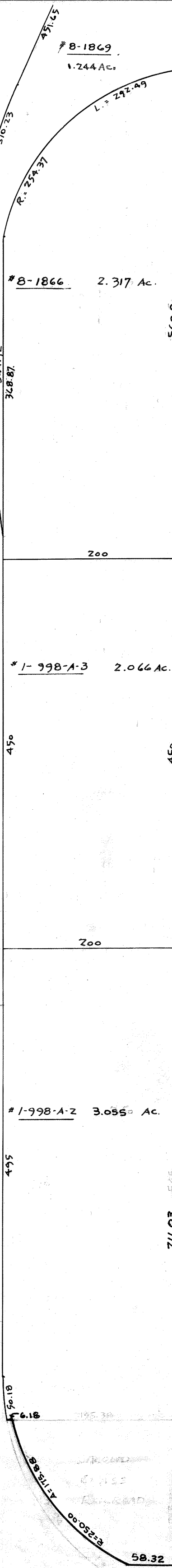


CENTRAL R.R. CO. OF N.J.



SECOND CLASS RAILROAD

LEASE LINE
710 ± TOTAL
#1-998-A1 WAREHOUSE
#1-998-A1A LAND
3.2 AC. ±



YORK STREET

1824.62 (TOTAL)

CENTRAL R.R. CO. OF N.J.

#B-1867
27.707 Ac. ±

#B-428-Y-11
7.769 Ac. ±

OK
#B-428-Y-10
13.404 Ac

#1-999A4
C.954 Ac.

AVENUE

#1-101 C-1
3.074 Ac.

#1-101 C-2
3.810 Ac.

#1-101 C

#1-101 B
2.69 Ac.

CORRECTED 3-4-65
7-23-66
3-17-67